

Cable Protector

for PowerMount™ Weigh Modules



METTLER TOLEDO

METTLER TOLEDO

Cable Protector » Installation Guide



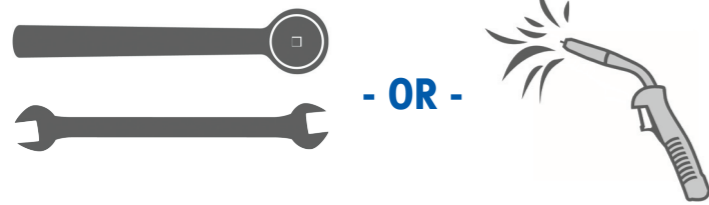
Download the Installation Guide:
EU-W: English, Deutsch, Español,
Français, Italiano, Nederlands, Português
EU N: Svenska, Dansk, Norsk
EU E: Polski, Čeština, Magyar,
Русский, Türkçe

► www.mt.com/ind-downloads-powermount

Before You Begin

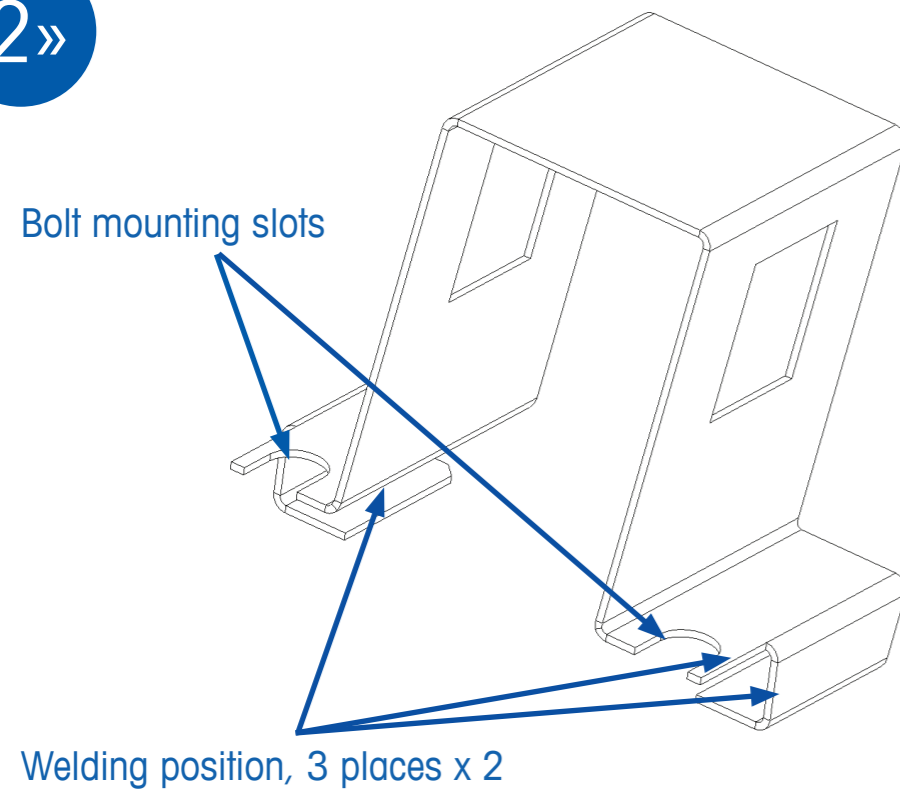
- 1»** Check P/N of Cable Protector
30315554 for Size 2
(110kg-2.2t, 250lb-5,000lb)
30315555 for Size 3
(4.4t, 10,000 lb)

Tools You Need:



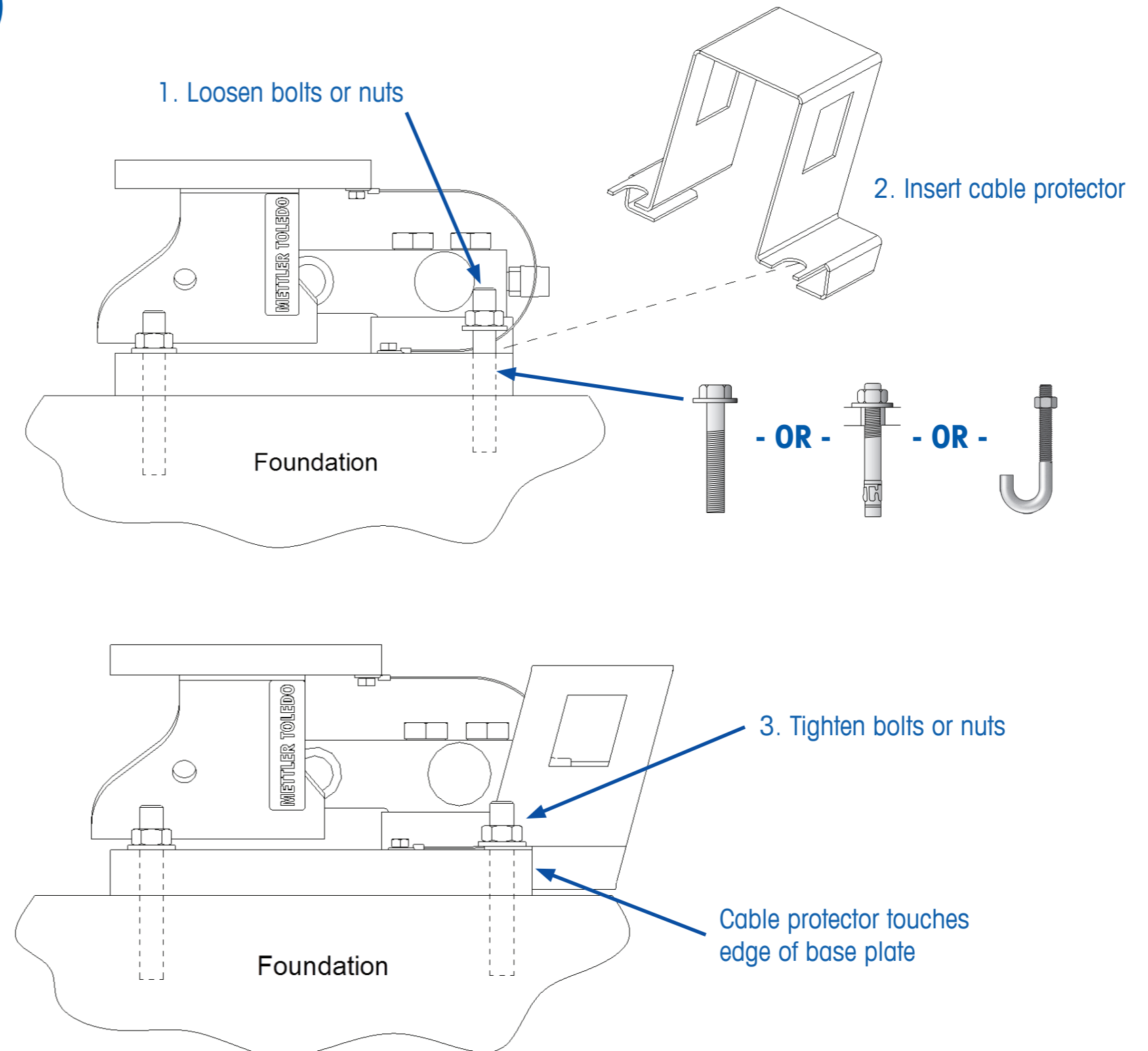
Cable Protector

2»



Install Cable Protector Using Bolts

3»





Download the Installation Guide:
EU-W: English, Deutsch, Español,
Français, Italiano, Nederlands, Português
EU N: Svenska, Dansk, Norsk
EU E: Polski, Čeština, Magyar,
Русский, Türkçe

► www.mt.com/ind-downloads-powermount

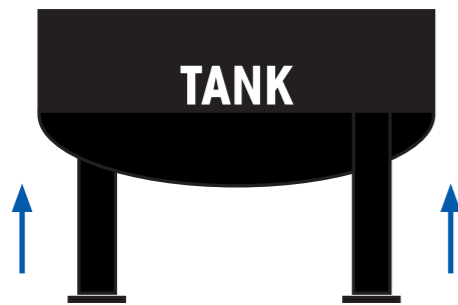
Install Cable Protector Using Welds

4»

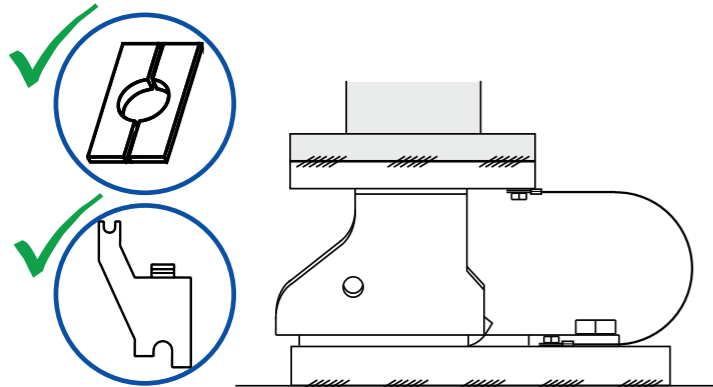
1. Prepare for welding
Remove power from the scale



Jack up the scale structure



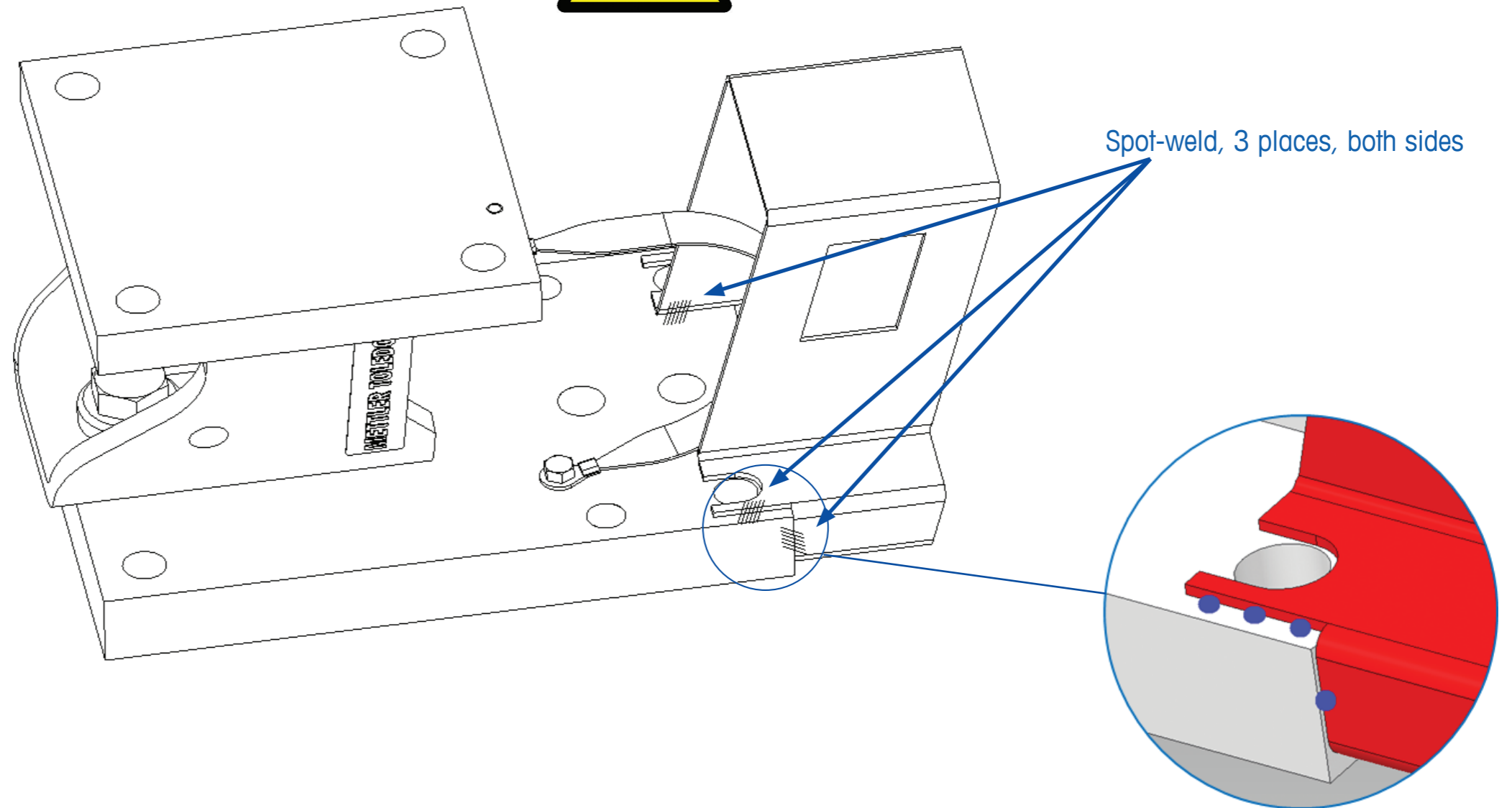
Remove load cell and ensure SafeLock™ kit is installed in weigh module



2. Weld the cable protector in place



- No load cell installed in weigh module while welding
- Ground wire of welder must be as close to the weld seam as possible to ensure proper grounding



Contact authorized METTLER TOLEDO service technician or proper removal and reinstallation of load cells.

Contact Information:

► www.mt.com/contact

© 2016 Mettler-Toledo, LLC
05/2016 | 30315556