

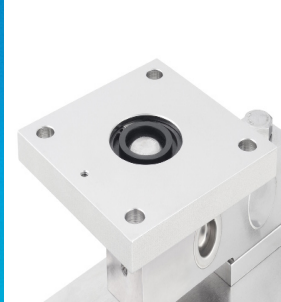
Cost Efficient Tank Weighing

Safe, Accurate, Service Friendly



Tank Weighing

SWB305 MultiMount™ weigh modules offer rugged construction and many features for easy installation and accurate and reliable tank weighing.



Safety and Protection

360-degree self-checking, lift-off are integrated. Foot-print compatible for easy upgrade and maximum flexibility.



Load Cell

The hermetically sealed load cells meet harsh industrial requirements. They are fully approved as standard for wide usage range.



SWB305
MultiMount™

SWB305 MultiMount™ Right the First Time

SWB305 MultiMount™ features ensure correct scale system installation, right from the start. Weigh modules do not compromise on safety – all safety features are built-in. Accurate, reliable performance and METTLER TOLEDO quality in an economical package.

Features:

- Integrated lift-off protection
- Full 360° integrated checking
- Optional ground strap
- All load cells laser welded
- Global approvals standard on each load cell
- OIML C3/NTEP III M n:5 (110kg - 2200kg)
- Zinc plated or stainless steel mounting hardware
- CalFree™: Calibration without test weights

SWB305 MultiMount™ Specifications – Weigh Module

Weigh Module	unit of measure	Specification					
		SWB305 MultiMount™					
Model No.		SWB305 MultiMount™					
Size		2					3
Rated Capacity	kg (lb, nominal)	110 (250)	220 (500)	550 (1250)	1100 (2500)	2200 (5000)	4400 (10000)
Max. Rated Forces ¹⁾							
Max. Compressive Force, Rated	kN (lb)	1.1 (250)	2.2 (500)	5.4 (1250)	10.8 (2500)	21.6 (5000)	43.2 (10000)
Max. Horizontal Force, Rated	transverse longitudinal kN (lb)	1.1 (250)	2.2 (500)	4 (900)			11.4 (2500)
Max. Uplift Force, Rated	kN (lb)	1.1 (250)	2.2 (500)	5.4 (1250)	10.8 (2500)	11.3 (2500)	23.7 (5300)
Max. Yield Forces ^{2) 4)}							
Max. Compressiv Force, Yield	kN (lb)	1.62 (375)	3.2 (750)	8.1 (1875)	16.2 (3750)	23.3 (5120)	64.8 (14342)
Max. Horizontal Force, Yield	transverse longitudinal kN (lb)	1.1 (250)	2.2 (500)	5.4 (1200)			15.8 (3500)
Max. Uplift Force, Yield	kN (lb)	1.62 (375)	3.2 (750)	8.1 (1875)	15.8 (3500)		33 (7400)
Max. Ultimate Forces ^{3) 4)}							
Max. Compressiv Force, Ultimate	kN (lb)	3.3 (750)	6.6 (1000)	16.2 (3750)	32.4 (7500)	48 (11000)	124 (28000)
Max. Horizontal Force, Ultimate	transverse longitudinal kN (lb)	1.1 (250)	2.2 (500)	5.4 (1250)	10.8 (2500)	12 (3000)	42 (9000)
Max. Uplift Force, Ultimate	kN (lb)	3.3 (750)	6.6 (1000)	16.2 (3750)	24 (5500)	24 5500)	62 (14000)
Max. top plate travel ⁵⁾	transverse longitudinal ± mm (in)	2 (0.08)					2.5 (0.1)
Weight (including load cell), nominal	kg (lb)	5.5 (12.1)				5.8 (12.8)	12.5 (27.6)
Material		carbon steel / 304					
Finish		Zinc Plated / Electropolished					

¹⁾ The weigh module is rated for these forces in normal operation, a Factor of Safety has been applied by Mettler Toledo.

²⁾ Warning: if loaded statically one time in excess of these forces, the weigh module may yield and need replacing. The Max. Yield Forces do not consider fatigue/cyclic loading and should be approached only in exceptional circumstances.

³⁾ Warning: if loaded statically one time in excess of these forces, the weigh module may break with potential for serious injury and/or property damage.

⁴⁾ Warning: apply a Factor of Safety appropriate to the application.

⁵⁾ To ensure proper weighing performance, limit longitudinal and transverse top plate travel to values listed here.

SWB305 MultiMount™ Specifications – Load Cell

Load Cell		unit of measure	Specification							
Default load cell item No.	0.03%w	SLB515	30101611							
	C3 / III M n:5 (CS)	SLB215			72258650	72258656	72258693	72258699		
	C3 / III M n:5 (SS)	SLB515			30101617	30101623	30101629	30101635		
	C1 / III M n:1.6 (CS)	SLB215							72258714	
	C1 / III M n:1.6 (SS)	SLB515							30101642	
Model No.			SLB215/SLB515							
Rated Capacity (R.C.)		kg (lb, nominal)	110 (250)		220 (500)	550 (1250)	1100 (2500)	2200 (5000)	4400 (10000)	
Rated Output		mV/V @R.C.-kg	0.970 ± 0.2%	0.970 ± 0.2%	1.940 ± 0.1%					
		mV/V @R.C.-lb	1.000 ± 0.2%	1.000 ± 0.2%	-2.000 ± 0.1%					
Combined Error ⁽⁶⁾⁽⁷⁾		%R.C.	≤ 0.03		≤ 0.018				≤ 0.03	
Temperature Effect on		Min. Dead load Output	%R.C./°C (./°F)		≤ 0.0013 (0.0007)				≤ 0.002 (0.001)	
		Sensitivity (10)	%A.L./°C (./°F)		≤ 0.001 (0.0006)				≤ 0.002 (0.001)	
Temperature Range		Compensated	-10 ~ +40 (+14 ~ +104)							
		Operating	°C (°F)		-40 ~ +65 (-40 ~ +150)					
		Safe Storage	-40 ~ +80 (-40 ~ +176)							
OIML / European Approval ⁽⁸⁾		Class			C3				C1	
		nmax			3000				1000	
		vmin	g	18	37	92	183	367	730	
NTEP Approval ⁽⁸⁾		Class			III M					
		nmax			5000				1600	
		Vmin	lb	0.04	0.08	0.2	0.4	0.81	1.62	
ATEX Approval ⁽⁸⁾		Rating	Carbon steel: II 2 G Ex ib IIC T4 Gb / II 2 D Ex ib IIIC T100°C Db 304 stainless steel: II 2 G Ex ia IIC T4 Gb / II 2 D Ex ib IIIC T100°C Db II 3 G Ex ic IIC T4 Gc / II 3 G Ex nA IIC T4 Gc / II 3 D Ex tc IIIC T100°C Dc							
Factory Mutual Approval ⁽⁸⁾		Rating, USA	IS / I, II, III / 1 / ABCDEFG / T4 Ta = -40°C to +50°C NI / I / 2 / ABCD / T6 Ta = -40°C to +50°C ; S / II, III / 2 / FG / T6 Ta = -40°C to +50°C							
		Rating, Canada	304 stainless Steel: IS / I, II, III / 1 / ABCDEFG / T4 Ta = -40°C to +50°C 304 stainless steel: NI / I / 2 / ABCD / T6 Ta = -40°C to +50°C							
Excitation Voltage		Recommended			5 ~ 15					
		Max			15					
Terminal Resistance		Excitation			382 ± 4					
		Output			350 ± 1					
Material		Spring Element	Nickel plated steel / Stainless steel							
Protection		Type	welded							
		IP Rating	IP67 (carbon steel); IP68, IP69K (stainless steel)							
		NEMA Rating	NEMA 6/6P							
Weight, nominal		kg (lb)	0.9 (2)				1.3 (2.9)		2 (4.4)	
Cable		Length			PU: 5 (16.4)				PU: 10 (33)	
		Diameter			5.2 (0.2)					

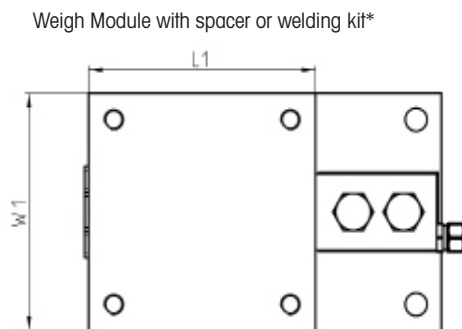
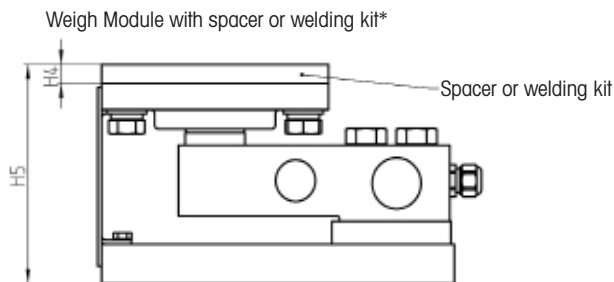
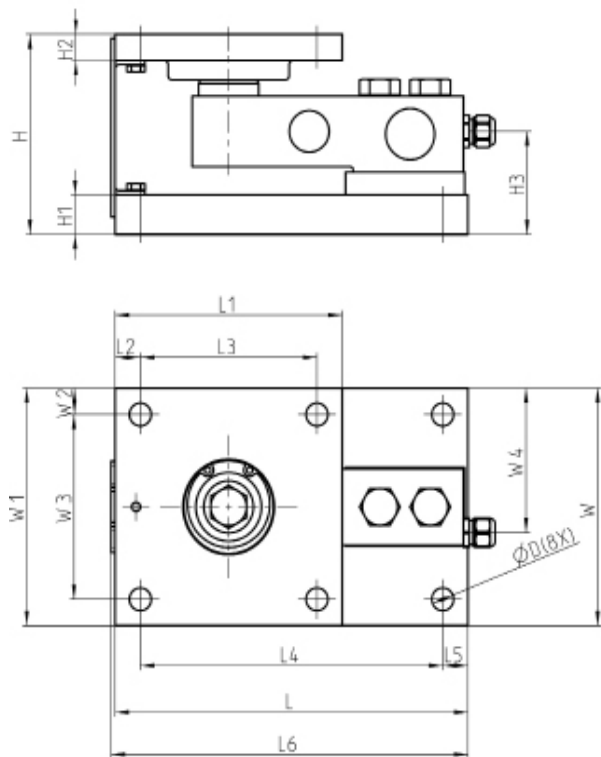
⁽⁶⁾ Error due to the combined effect of non-linearity and hysteresis.

⁽⁷⁾ Typical values only. The sum of errors due to Combined Error and Temperature Effect on Sensitivity comply with the requirements of OIML R60 and NIST HB44.

⁽⁸⁾ See certificate for complete information.



SWB305 MultiMount™ Weigh Module Dimensions mm [in]



ALL DIMENSIONS mm(INCHES)

*mandatory for top welding installation

Size	Capacity	Locations and Dimensions																		
		D	H	H1	H2	H3	H4	H5	L	L1	L2	L3	L4	L5	L6	W	W1	W2	W3	W4
2	110kg – 1.1t (250 lb – 2.5klb)	11.2 (0.44)	96.5 (3.8)	19.0 (0.75)	12.7 (0.50)	52.4 (2.06)	9.1 (0.36)	105.6 (4.16)	177.9 (7.00)	114.4 (4.50)	12.7 (0.50)	89.0 (3.50)	152.4 (6.00)	12.7 (0.50)	179.9 (7.08)	114.4 (4.50)	114.4 (4.50)	12.7 (0.50)	89.0 (3.50)	66.1 (2.60)
	2.2t (5 klb)					49.6 (1.95)														69.9 (2.74)
3	4.4t (10klb)	17.5 (0.69)	125.2 (4.93)	22.0 (0.87)	18.0 (0.71)	61.7 (2.43)	11.4 (0.45)	136.6 (5.38)	235.0 (9.25)	152.4 (6.00)	25.4 (1.00)	101.6 (4.00)	184.2 (7.25)	25.4 (1.00)	237.0 (9.33)	152.4 (6.00)	152.4 (6.00)	25.4 (1.00)	101.6 (4.00)	91.7 (3.61)

Order Information SWB305 MultiMount™ – Weigh Module including Load Cell

Smart Configuration Key	Pos. 1	Pos. 2	Pos. 3	Pos. 4-5	Pos. 6.7	Pos. 8-9	Pos. 10	Pos. 11	Pos. 12
	Always G	Material	Structural Safety	Capacity	Always A1	Cable Length	Ground Strap	Shim Set	Spacer / Welding Plate
SWB305 (Item: 30431200)	G	C: Carbon steel S: Stainless steel	0: not available 1: EN1090 (EU only)	A0: 110kg - 0.03% B2: 220kg - C3 C2: 550kg - C3 D2: 1100kg - C3 E2: 2200kg - C3 F1: 4400kg - C1	A1	03: 3m 05: 5m 10: 10m 110kg-2200kg 5m 4400kg 10m	0: No Ground Strap 1: With Ground Strap	0: No Shim Set 1: With Shim Set	0: No S: Spacer Plate W: Welding Kit

Example : SWB305GC0B2A105100 (Carbon Steel, No EN1090, 220kg, 5m cable, with Ground Strap, no Shim Set, no Spacer/Welding Plate)

SWB305 MultiMount™ Cable Colour SLB215/515

Colour	Function
Green	+ Excitation
Black	- Excitation
White	+ Signal
Red	- Signal
Yellow	Shield

Full Connectivity

METTLER TOLEDO supplies various data communication interfaces that enable our sensors and instruments to communicate with your PLC, MES, or ERP systems.



METTLER TOLEDO Service

Our extensive service network is among the best in the world and ensures maximum availability and service life of your product.

Weighing Electronics

METTLER TOLEDO offers a complete family of electronics from simple weighing to application solutions for filling, stock control, batching, formulation, counting, checkweighing.



METTLER TOLEDO Group
Industrial Division
Local contact: www.mt.com/contacts

Subject to technical changes
© 05/2021 METTLER TOLEDO. All rights reserved
Document No. 30418651
MarCom Industrial

www.mt.com

For more information